



Green Space BBS180/181/182

BBS180 1xDLED-3000 PSU WH

BBS180 - 1 pc - DLED Module - Power supply unit

GreenSpace is an optimized LED downlight. Featuring a simple yet robust integrated design and high system efficacy, it offers customers a sustainable solution with a return on investment within one to three years. And it conforms to general lighting norms for offices, shops and other indoor applications. GreenSpace also offers very good color rendering, while a diffuser cover ensures superior uniformity and glare control. Its long lifetime makes it a true 'fit and forget' solution. This optimized downlight can be used in environments requiring a 'green' general-lighting solution, for instance offices, shops, hotels and hospitals.

Product data

• General information

| | |
|--------------------------------|-------------------------|
| Product family code | BBS180 [BBS180] |
| Number of lamps | 1 [1 pc] |
| Lamp family code | DLED [DLED Module] |
| Lamp color temperature | 3000 [3000 K] |
| Transformer/ power supply unit | PSU [Power supply unit] |
| Color | WH [White] |

• Product Data

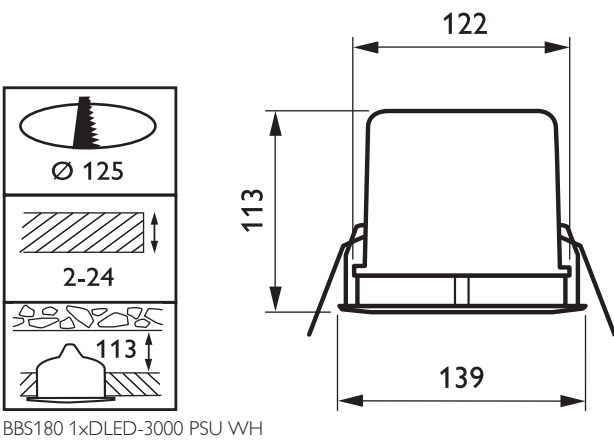
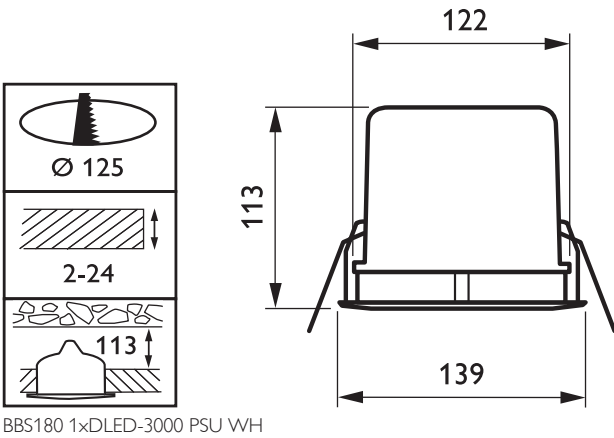
| | |
|------------|--------------|
| Order code | 911400679180 |
|------------|--------------|

| | |
|-----------------------------|---------------------------|
| Full product code | 911400679180 |
| Full product name | BBS180 1xDLED-3000 PSU WH |
| Order product name | BBS180 1xDLED-3000 PSU WH |
| Pieces per pack | 1 |
| Packs per outerbox | 12 |
| Bar code on pack - EAN1 | 0000000000000 |
| Bar code on outerbox - EAN3 | 0000000000000 |
| Logistic code(s) - 12NC | 911400679180 |
| Net weight per piece | 9.120 kg |



PHILIPS
sense and simplicity

Dimensional drawing



© 2012 Koninklijke Philips Electronics N.V.
All rights reserved.

Specifications are subject to change without notice. Trademarks are the property of Koninklijke Philips Electronics N.V. or their respective owners.

www.philips.com/lighting

2012, December 29
data subject to change